

# PRODUCT INFORMATION PACKET

Model No: 056T11O11002  
Catalog No: X533  
1/2, 1140, OPEN, 56Z, 3/60/208-230/460  
Condenser Fans



Regal and Marathon are trademarks of Regal Beloit Corporation or one of its affiliated companies.  
©2018 Regal Beloit Corporation, All Rights Reserved. MC017097E





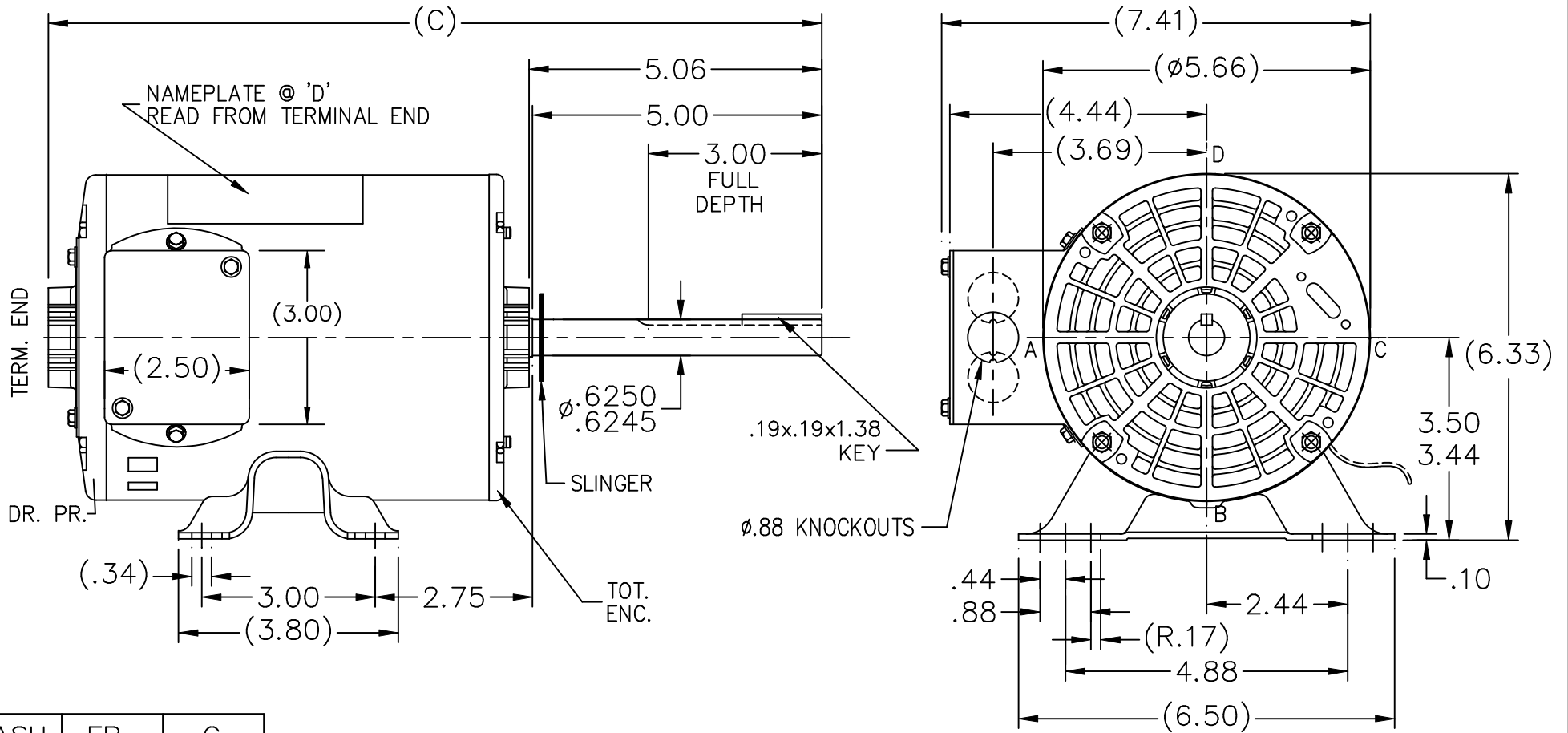
### Nameplate Specifications

Output HP	<b>0.50 Hp</b>	Output KW	<b>0.37 kW</b>
Frequency	<b>60 Hz</b>	Voltage	<b>208-230/460 V</b>
Current	<b>2.1-2.0/1.0 A</b>	Speed	<b>1140 rpm</b>
Service Factor	<b>1</b>	Phase	<b>3</b>
Efficiency	<b>74 %</b>	Duty	<b>Continuous</b>
Insulation Class	<b>B</b>	Design Code	<b>B</b>
KVA Code	<b>J</b>	Frame	<b>56Z</b>
Enclosure	<b>Open Enclosed</b>	Overload Protector	<b>Auto Lock Rotor Only</b>
Ambient Temperature	<b>60 °C</b>	Drive End Bearing Size	<b>6203</b>
Opp Drive End Bearing Size	<b>6203</b>	UL	<b>Recognized</b>
CSA	<b>Y</b>	CE	<b>N</b>
IP Code	<b>10</b>		


### Technical Specifications

Electrical Type	<b>Squirrel Cage Induction Run</b>	Starting Method	<b>Across The Line</b>
Poles	<b>6</b>	Rotation	<b>Reversible</b>
Mounting	<b>Rigid base</b>	Motor Orientation	<b>Horizontal</b>
Drive End Bearing	<b>Ball</b>	Opp Drive End Bearing	<b>Ball</b>
Frame Material	<b>Rolled Steel</b>	Shaft Type	<b>Single Special Extension</b>
Overall Length	<b>13.37 in</b>	Frame Length	<b>6.62 in</b>
Shaft Diameter	<b>0.625 in</b>	Shaft Extension	<b>5.06 in</b>
Assembly/Box Mounting	<b>F1 Only</b>		
Outline Drawing	<b>SS403446-662</b>	Connection Diagram	<b>A-EE7335</b>

This is an uncontrolled document once printed or downloaded and is subject to change without notice. Date Created: 06/29/2018



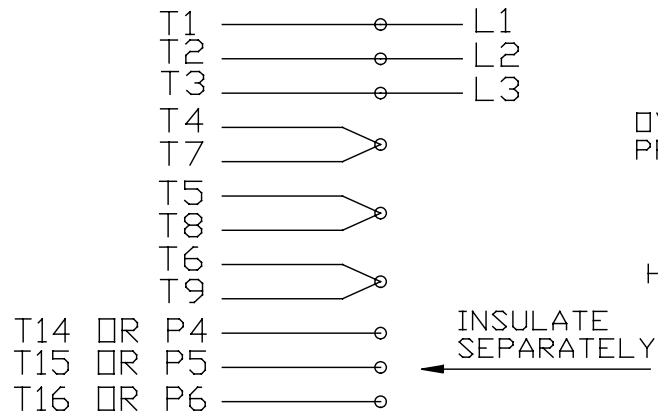
DASH	FR.	C
662	48Y	13.37

		TOLERANCES UNLESS SPECIFIED			DRAWN RJW 10-11-2004	
		DEC.	INCHES		CHK ML 10-10-2004	
		.X	±.1		APPD MJS 10-11-2004	
		.XX	±.02		SCALE 3=8	
		.XXX	±.005		REF	
		.XXXX	±.0005	MAT'L.	FMF MU62419	
NO.	REVISION	BY & DATE	CHK	ANG	FINISH	PREV
			RFP	10-12-2004	CAD FILE ss403446	SIZE A
				DIST	WP	DRAWING NO. SS403446
						PAGE 3 OF 8
						REV.

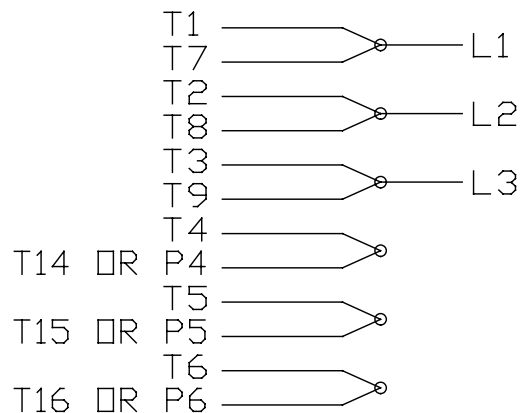
THIS DRAWING IN DESIGN AND DETAIL IS OUR PROPERTY AND MUST NOT BE USED EXCEPT IN CONNECTION WITH OUR WORK ALL RIGHTS OF DESIGN AND INVENTION ARE RESERVED THIS IS AN ELECTRONICALLY GENERATED DOCUMENT - DO NOT SCALE THIS PRINT

EE7335

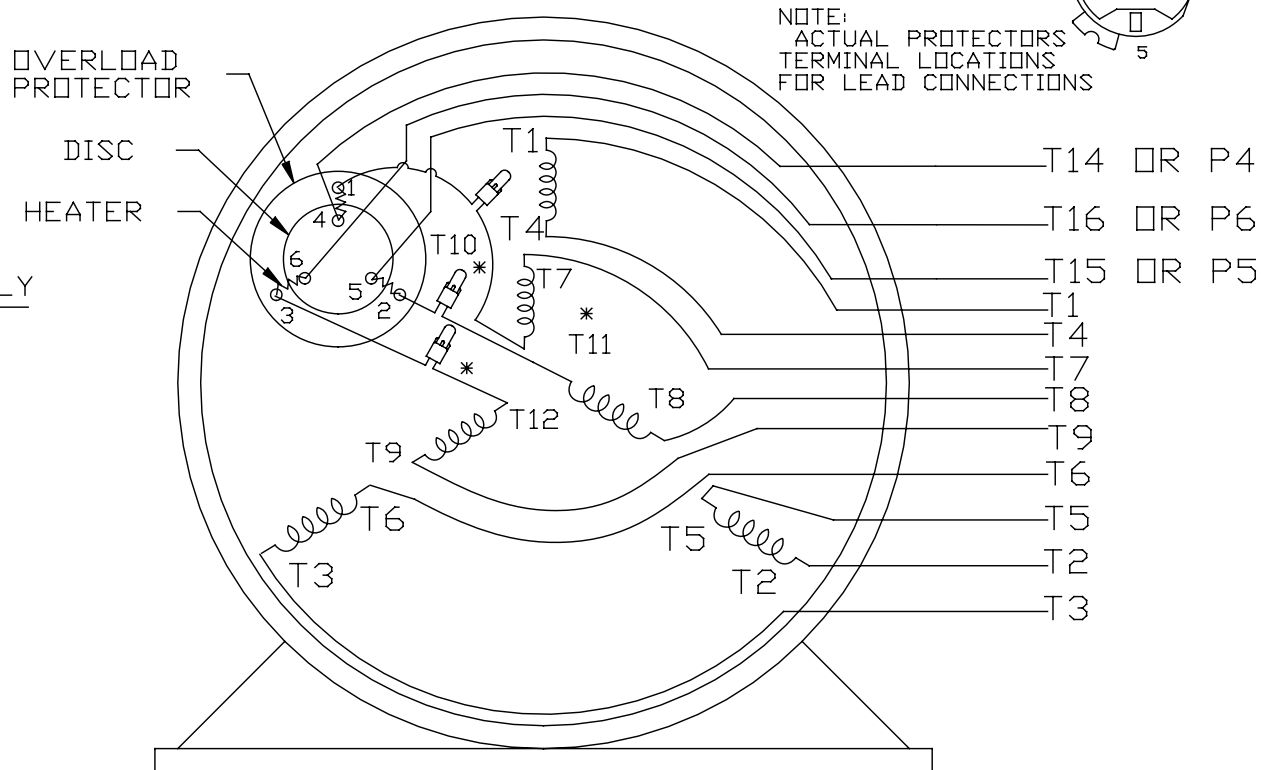
## HIGH VOLTAGE CONNECTIONS



## LOW VOLTAGE CONNECTIONS



## THREE PHASE - DUAL VOLTAGE MOTOR WITH OVERLOAD PROTECTOR



VIEW OF TERMINAL END

T2K
T4D
T6AN

\* USE PRESSURE CONNECTORS FOR MT2 PLANT ONLY

NO.	REVISION	BY & DATE	CHK	TOLERANCES UNLESS SPECIFIED		FINISH	DRAWING NO.	REV.	
				ANG	±1/2*				
17	CHANGED LOGO FROM MARATHON TO REGAL	KIR 02/16/16	AB	DEC.	INCHES	<b>Regal Beloit America, Inc.</b>	DRAWN	KL 08-09-1993	
16	PRESSURE CONNECTORS QUANTITY WAS 6	PVR 10/29/13	GR	.X	±.1		CHK	ML 08/10/1993	
15	PRESSURE CONNECTORS ADDED	GR 03/04/13	SR	.XX	±.01		APPD	GK 08/10/1993	
14	ADDED ACTUAL PROECTOR VIEW CN 17481	KL 05/18/94		.XXX	±.005	TITLE	CONNECTION DIAGRAM	SCALE 1=1	
13	REDRAWN IN AUTO CAD	KL 08/11/93		.XXXX	±.0005	3Ø-DUAL VOLT WITH OVERLOAD PROTECTO		REF	
						MAT'L.		FMF	
								PREV	
				RFP	CAD FILE	EE7335	SIZE	A	
THIS DRAWING IN DESIGN AND DETAIL IS OUR PROPERTY AND MUST NOT BE USED EXCEPT IN CONNECTION WITH OUR WORK ALL RIGHTS OF DESIGN AND INVENTION ARE RESERVED THIS IS AN ELECTRONICALLY GENERATED DOCUMENT - DO NOT SCALE THIS PRINT				DIST				EE7335	17

**CERTIFICATION DATA SHEET**

**Model#:** 56T11O11002 A **WINDING#:** TE48617 DR 3  
**CONN. DIAGRAM:** A-EE7335 **ASSEMBLY:** F1 ONLY  
**OUTLINE:** SS403446-662

**TYPICAL MOTOR PERFORMANCE DATA**

HP	KW	SYNC. RPM	F.L. RPM	FRAME	ENCLOSURE	KVA CODE	DESIGN
1/2&1/2	.37&.37	1200	1140&950	56Z	OPEN	J	B

PH	Hz	VOLTS	FL AMPS	START TYPE	DUTY	INSL	S.F	AMB°C	ELEVATION
3	60/50	208- 230/460#190/ 380	2.1- 2/1&2.2/1.1	ACROSS THE LINE	CONTINUOU S	B3	1.0/1.0	60	3300

<b>FULL LOAD EFF:</b> 74&70	<b>3/4 LOAD EFF:</b> 70.5	<b>1/2 LOAD EFF:</b> 63.5	<b>GTD. EFF</b>	<b>ELEC. TYPE</b>	<b>NO LOAD AMPS</b>
<b>FULL LOAD PF:</b> 66&71	<b>3/4 LOAD PF:</b> 53.5	<b>1/2 LOAD PF:</b> 42	72	SQ CAGE IND RUN	1.5 / .8

<b>F.L. TORQUE</b>	<b>LOCKED ROTOR AMPS</b>	<b>L.R. TORQUE</b>	<b>B.D. TORQUE</b>	<b>F.L. RISE°C</b>
36.7 LB-FT	9.2 / 4.6	108 LB-FT 0	120 LB-FT 0	0

SOUND PRESSURE @ 3 FT.	SOUND POWER	ROTOR WK^2	MAX. WK^2	SAFE STALL TIME	STARTS /HOUR	APPROX. MOTOR WGT
55 dBA	65 dBA	0.065 LB-FT^2	- LB-FT^2	- SEC.	-	0 LBS.

\*\*\* SUPPLEMENTAL INFORMATION \*\*\*

DE BRACKET TYPE	ODE BRACKET TYPE	MOUNT TYPE	ORIENTATION	SEVERE DUTY	HAZARDOUS LOCATION	DRIP COVER	SCREENS	PAINT
STANDARD	STANDARD	RIGID	HORIZONTAL	FALSE	NONE	FALSE	NONE	GRAY (POWDER)

BEARINGS		GREASE	SHAFT TYPE	SPECIAL DE	SPECIAL ODE	SHAFT MATERIAL	FRAME MATERIAL
DE	OPE						
BALL	BALL	MULTEMP SRL	SGL SPL EXT	0.625 x 5.00 IN SEK	NONE	1144 STRESSPROOF (C-223)	ROLLED STEEL
6203	6203						

THERMO-PROTECTORS				THERMISTORS	CONTROL	SPACE /n HEATERS
THERMOSTATS	PROTECTORS	WDG RTDs	BRG RTDs			
NONE	AUT LCK RTR ONLY	NONE	NONE	NONE	FALSE	NONE VOLTS

If Inverter equals NONE, contact factory for further information

\*  
N  
O  
T  
E  
S  
\*

INVERTER TORQUE: NONE	INV. HP SPEED RANGE: NONE
ENCODER: NONE	NONE NONE PPR
BRAKE: NONE NONE	NONE P/N NONE
NONE NONE	NONE NONE
NONE FT-LB	NONE V NONE Hz

DATE: 06/28/2017 02:44:19 AM  
 FORM 3531 REV.3 02/07/99  
 \*\* Subject to change without notice.

